



From the track...

JURATEK®

...to the road

Design Enhancement

SCA100
Scania: 4 series
 Equivalent to 1386686, 1402272

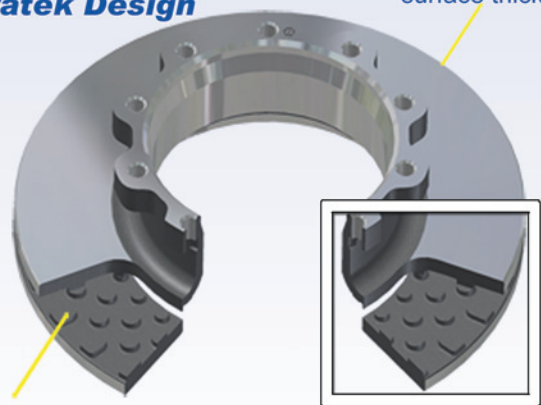
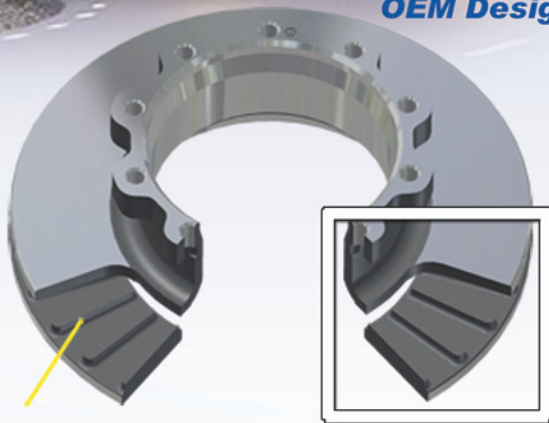


✓ This new design improves the airflow and heat distribution due to the change in vent design and increased thickness of the braking surface, making the disc less likely to crack under severe conditions

OEM Design

Juratek Design

Increase in brake surface thickness



Wall type vent

Pillar vent design creating significantly more airflow.

Vent gap 18.5mm

Disc thickness 13.5mm each side

Overall weight 28.7kg

Airflow travels in one direction only, increasing the chance of overheating.

Vent gap 11mm

Disc thickness 17mm each side

Overall weight 32.4kg

Increased multi-directional airflow for greater cooling properties.

www.juratek.com



Names and part numbers of third party manufacturers shown are to identify the equivalent compatible Juratek product and such use does not imply any connection with such manufacturers.