

New to Range Brake Pads January 2020



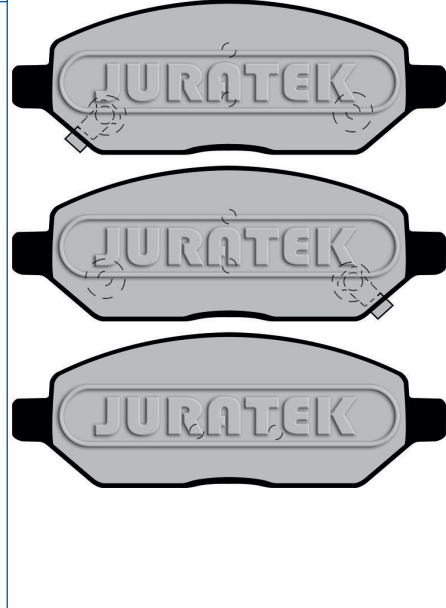
www.juratek.com

JCP8184

Width	Height	Thickness
46.5	129	17

Application Pos **F**

OPEL:
Karl 15-
VAUXHALL:
Viva 15-



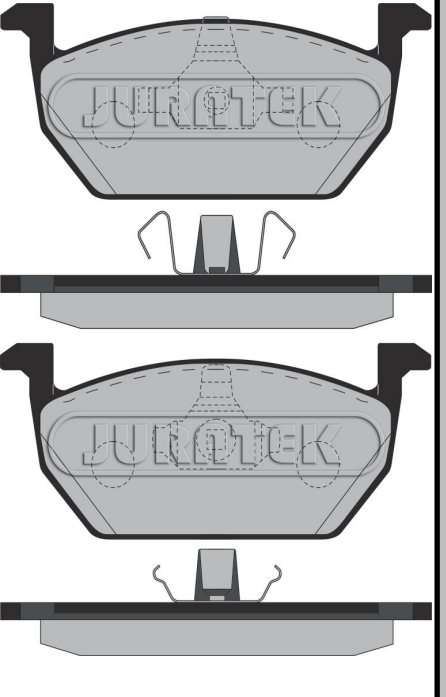
APEC	Blueprint	Borg & Beck	Comline	Delphi	Mintex	QH	TRW
PAD2098	ADW194216	BBD2599	ADB32326 CBP32326	LP3236	MDB3922	-	GDB2135
OEM	1605324, 42349235, 42439338, 95526463						

JCP8191

Width	Height	Thickness
62.5	146	17

Application Pos **F**

AUDI:
A1 Sportback 15-
SEAT:
Arona 15-
Ibiza 15-
SKODA:
Scala 15-
VOLKSWAGEN:
Polo 15-
T-Cross 15-



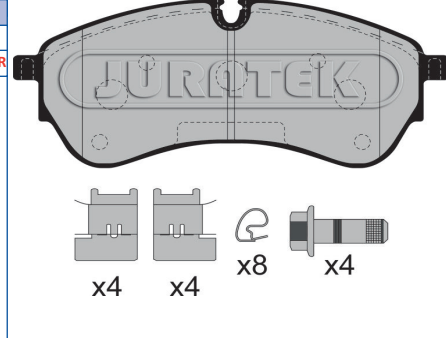
APEC	Blueprint	Borg & Beck	Comline	Delphi	Mintex	QH	TRW
-	-	BBP2648	CBP02389	LP3287	MDB3982	-	-
OEM	2Q0615109P, 2Q0698151B, 2Q0698151C, 2Q0698151E, 2Q0698151G						

JCP8204

Width	Height	Thickness
164	67	19

Application Pos **F/R**

MAN:
TGE 16-
VOLKSWAGEN:
Crafter 16-



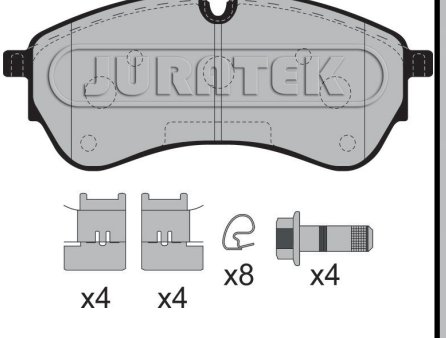
APEC	Blueprint	Borg & Beck	Comline	Delphi	Mintex	QH	TRW
-	ADB420004	BBP2684	ADB02388 CBP02388	LP3410	MDB4004	-	-
OEM	2N0698151, 65508206000						

JCP8205

Width	Height	Thickness
71	177	20

Application Pos **F**

MAN:
TGE 16-
VOLKSWAGEN:
Crafter 16-



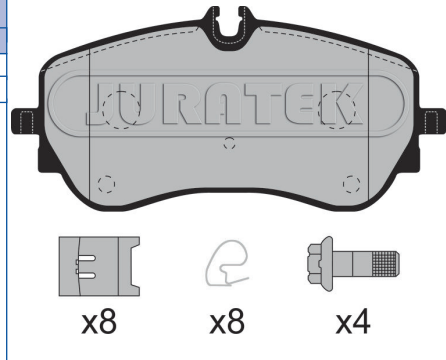
APEC	Blueprint	Borg & Beck	Comline	Delphi	Mintex	QH	TRW
-	ADV184279	BBP2677	ADB02400 CBP02400	LP3545	MDB4005	-	-
OEM	2N0698151A, 65508206001						

JCP8206

Width	Height	Thickness
65	141	18

Application Pos **R**

MAN:
TGE 16-
VOLKSWAGEN:
Amarok 10-
Crafter 16-



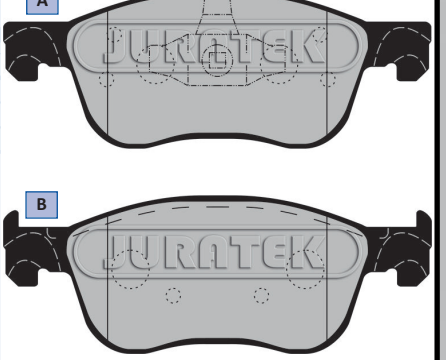
APEC	Blueprint	Borg & Beck	Comline	Delphi	Mintex	QH	TRW
-	ADV184264	-	ADB02387	LP3367	MDB4118	-	-
OEM	2H6698451, 2H6698451A, 2N0698451, 65508206002, 65508206005						

JCP8212

A-Width	A-Height	A-Thickness
56.3	155	15.2
B-Width	B-Height	B-Thickness
55.2	155	15.2

Application Pos **F**

FORD:
Fiesta 17-



APEC	Blueprint	Borg & Beck	Comline	Delphi	Mintex	QH	TRW
-	ADF124237	BBP2665	ADB02368 CBP02368	LP3365	MDB4104	-	-
OEM	2095060, 2095160, 2272732, 2279460, KTH1BC2K021AB						



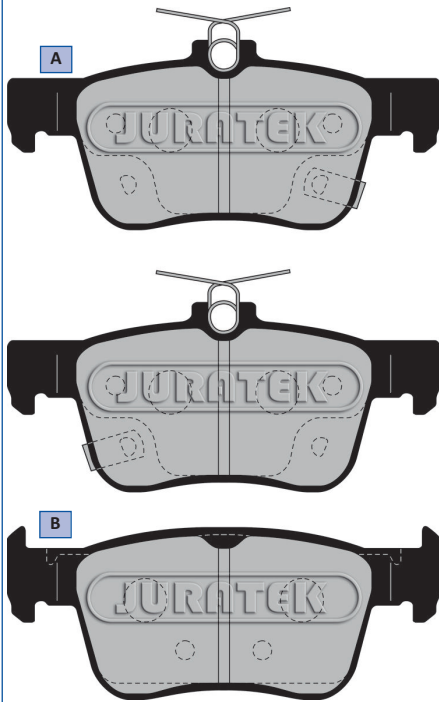
New to Range Brake Pads January 2020



JCP8264

A-Width	A-Height	A-Thickness
53	122	15
B-Width	B-Height	B-Thickness
48	122	15
Application	Pos	R

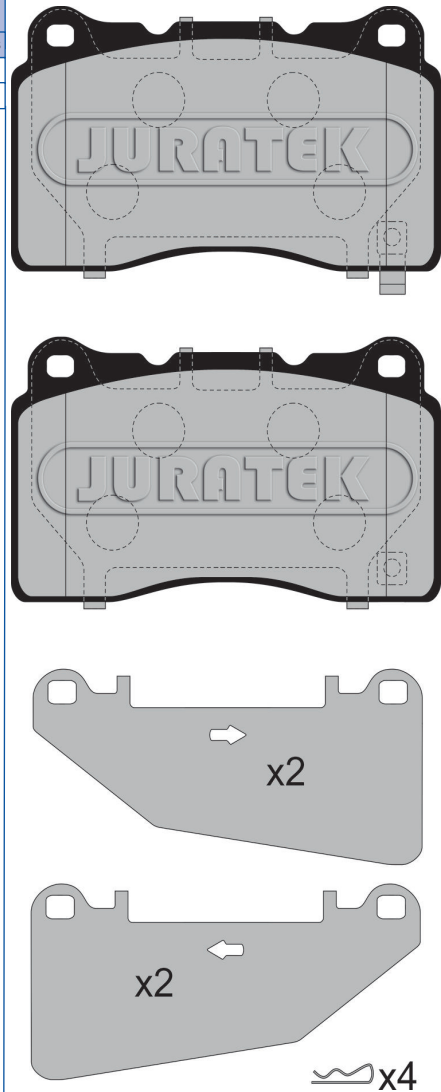
HONDA:
Civic 16-



JCP8265

Width	Height	Thickness
77	132	14
Application	Pos	F

CADILLAC:
ATS 13-
HONDA:
Civic 17-



APEC	Blueprint	Borg & Beck	Comline	Delphi	Mintex	QH	TRW	APEC	Blueprint	Borg & Beck	Comline	Delphi	Mintex	QH	TRW
PAD2136	ADH242101	BBP2582	ADB32407 CBP32407	LP3391	MDB3923	-	-	PAD1391	ADH24298				MDB2592		
OEM	43022TBAA02, 43022TGHA01, 43022TGNG02							OEM	45022TGHA01, 45022TV8E02						

www.juratek.com

