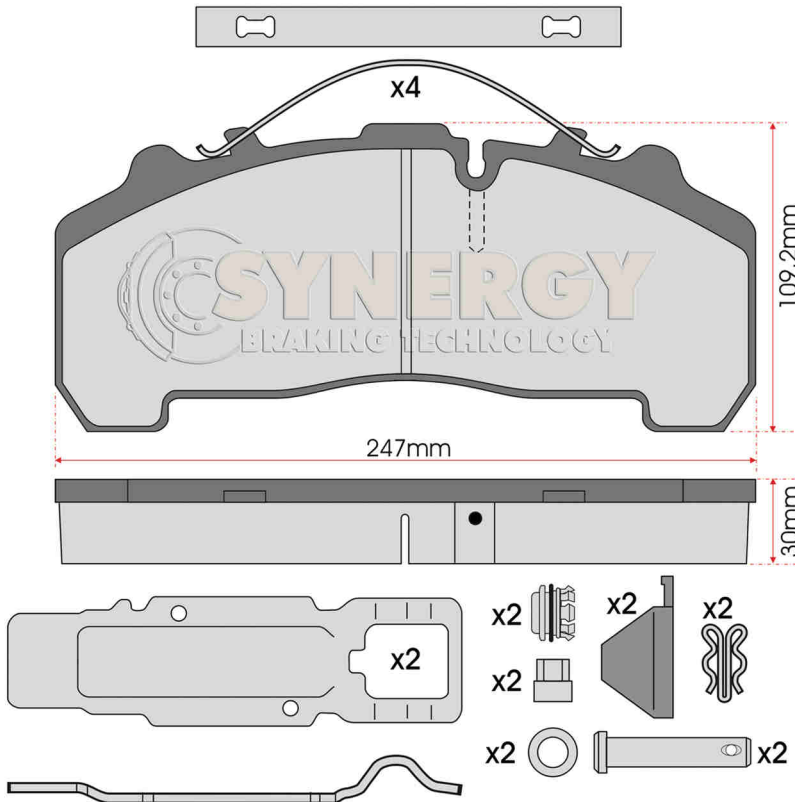


# SYN2000K

Premium Material specifically suited to bus and coach applications



Equivalent to:

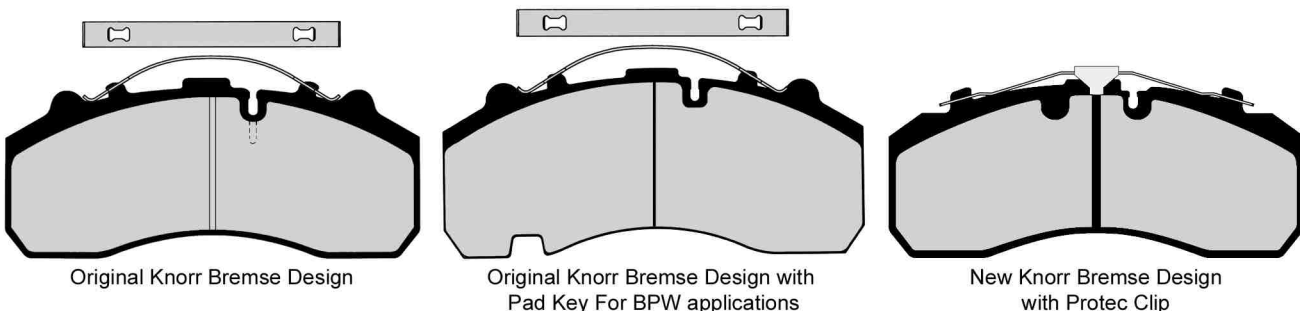
- Bova:** 204552, 44202220
- BPW:** 0980106960, 0536270020
- DAF:** 1191281, 1439324, 1617343, 1797053, 1800830, 1878030, 1982826
- Dennis:** DEP103188
- Fruehauf:** 12999676
- Gigant:** 709317202, 70M100659
- Iveco:** 1906439, 2992348, 2992476, 2995637, 2995809, 2995819, 2995938, 2996515, 500054632, 500055566
- Knorr Bremse:** II38863, II180220062, II38339, II39756F0062, K031590K50, K046771, K046771K50, K094436K50
- MAN:** 81508206030, 81508206033, 81508206055, 81508206056, 81508206061, 81508206065, 81508206068
- Mercedes:** A0004210510, A0004214310, A0024204920, A0034201020, A0034201620, A0034202020, A0034202220, A0034203520, A0044206020, A0064201020, A0064201120, A2420222010, A0034203520
- Meritor:** MDP3087K, MDP3167, MDP9000, MDP9001, MDP9004, MDP9005, MDP9008, MDP988
- Neoplan:** 82134000, 82135100
- SAF:** 3057007700, 5317002300, 5317002400
- Scania:** 1390428, 1734529, 1856108, 1890861, 1914100, 2325212
- Setra:** 8285000571, 8285515573, 9291037
- SMB:** 9317202, M100659

## To Fit all applications with Knorr Bremse SB7000 and SN7000 calipers

- Neoplan:** Centroliner, Cityliner, Euroliner, Jetliner, N series, Regioler, Skyliner, Spaceliner, Starliner, Tourliner, Transliner
- Bova:** Axial DD, Futura FHD, FLD, FVD, Lexio, Magiq HD, MHD, Synergy DD
- DAF:** DB250, DB300, SB230, SB250, SB2300, SB2305, SB3000, SB4000, SBR230, SBR3000, SBR4000, SKB3000
- Dennis:** ALX300, Enviro, Panther, R series, Trident
- Iveco:** Axer, Domino, Europolis, Eurorider
- MAN:** 18.220, Citybus, Lion's Coach, Lion's Comfort, Lion's Star
- Mercedes:** Citaro, Cito, Integro, Tourino, Turismo, Touro, Travego
- Scania:** 4 series, Century Club, Citywide, F series, Irizar, K series, N series
- Wrightbus:** Pathfinder, Pulsar Gemini, Routemaster, Solar

for a full application list see [www.juratek-webshop.com](http://www.juratek-webshop.com)

## Replaces the following OE designs



Original Knorr Bremse Design

Original Knorr Bremse Design with Pad Key For BPW applications

New Knorr Bremse Design with Protec Clip