

New to Range Brake Pads November 2024

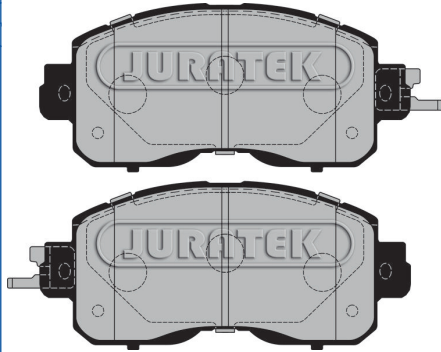


Please note, part numbers with images are recommended for customers stock. Part numbers without images are available from Juratek stock but for less popular applications.

JCP8301

Width	Height	Thickness
141.7	55.1	16.2
Application		Pos

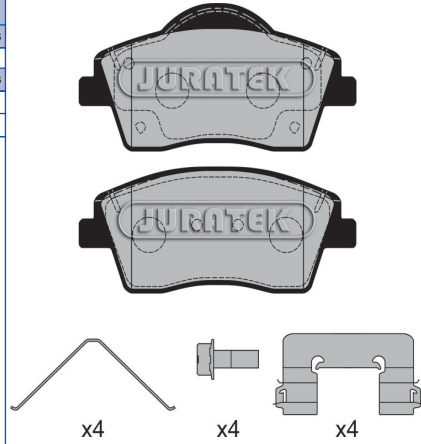
NISSAN:
Altima 12-
Leaf 10-17



JCP8555

A-Width	A-Height	A-Thickness
132.6	65.8	16.4
B-Width	B-Height	B-Thickness
132.6	56.3	16.4
Application		Pos

VOLVO:
XC40 17-



APEC	Blueprint	Borg & Beck	Comline	Delphi	Mintex	QH	TRW	APEC	Blueprint	Borg & Beck	Comline	Delphi	Mintex	QH	TRW
PAD2219	ADN142179	BBP2534	ADB32573 CBP32573	LP3251	MDB3774	-	-	PAD2301	ADBP420102	BBP2845	ADB02855 CBP02855	LP3528	MDB4135	-	-
OEM	D10603TA0A, D10603TSA						OEM	31471409, 31471410, 32276932, 32287456							

www.juratek.com

