

New to Range Brake Pads December 2019



www.juratek.com

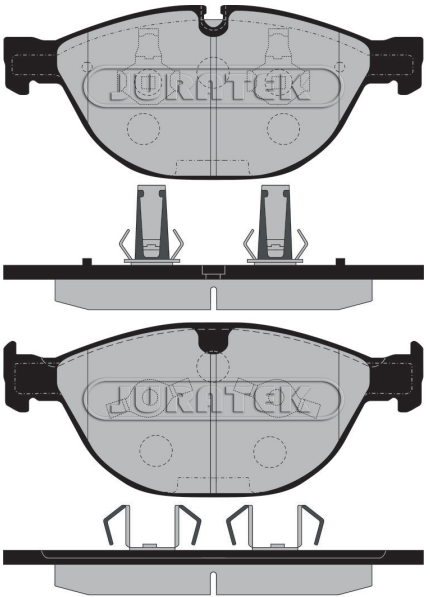
JCP1883

Width	Height	Thickness
193	79	20

Application Pos F

BMW:
5 Series 04-10
6 Series 05-10
7 Series 01-09

JAGUAR:
XF 09-15
XF Sportbrake 13-14
XJ 09-
XK 09-14



APEC	Blueprint	Borg & Beck	Comline	Delphi	Mintex	QH	TRW
PAD1353			ADB01219				
PAD1742	-	BBP2178	ADB06000	LP2041	MDB2646	BP1492	GDB1558
PAD1757			CBP06000				
OEM	34110300361, 34112283365, 34112284065, 34116763652, 34116764312, 34116768287, 34116770575, 34116774258, C2D3801						

JCP4074

Width	Height	Thickness
147	64	18

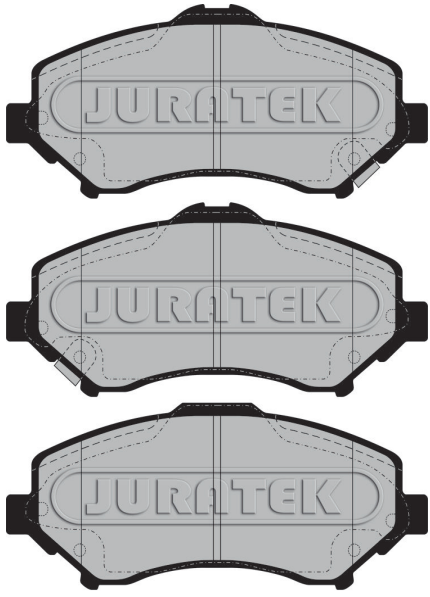
Application Pos F

CHRYSLER:
Grand Voyager 07-

DODGE:
Journey 08-
Nitro 06-12

FIAT:
Freemont 11-

JEEP:
Cherokee 08-
Compass 06-
Wrangler 07-



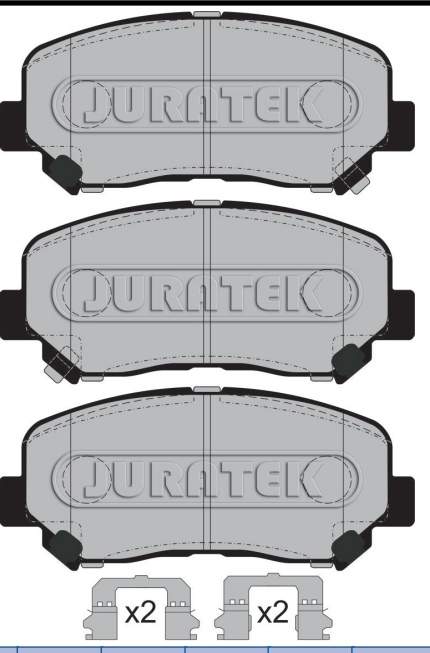
APEC	Blueprint	Borg & Beck	Comline	Delphi	Mintex	QH	TRW
PAD1700	ADA104213	BBP2089	ADB36066	LP2143	MDB3000	BP1705	GDB4605
OEM	68003701AA, 68029263AA, 68029264AA, 68044866AA, 68044866AC, 68053152AB, 68068762AA, 68093323AB, 71771813, K68029263AA, K68029264AA, K68029264AB, K68053152AA, K68053152AB, K68068762AA, K68093323AA, K68093323AB, V1013701AA						

JCP8293

Width	Height	Thickness
61	142	16

Application Pos F

MAZDA:
CX-5 11-



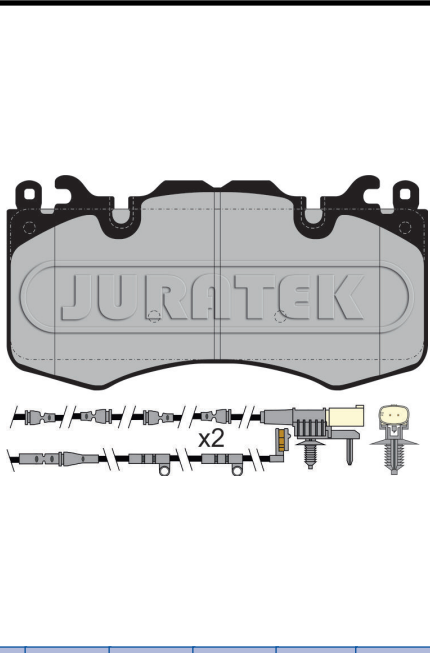
APEC	Blueprint	Borg & Beck	Comline	Delphi	Mintex	QH	TRW
PAD1915	ADM542113	BBP2355	ADB32252	LP2481	MDB3292	-	GDB3562
OEM	KOY13323Z, KOY13328Z, KOY13328ZA, KOY3323Z, KDY93328Z						

JCP8294

Width	Height	Thickness
96	190	15

Application Pos F

LAND ROVER:
Discovery 16-
Range Rover 09-
Range Rover Sport 09-



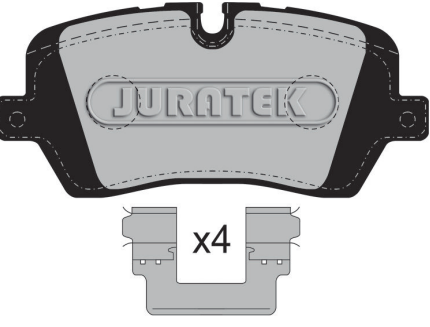
APEC	Blueprint	Borg & Beck	Comline	Delphi	Mintex	QH	TRW
PAD1737	ADJ134209	BBP2216	ADB02211	LP2187	MDB3129	BP1798	GDB1834
OEM	LR016684, LR020362, LR064181, LR083935, LR093886, LR110075, LR110087, LR114004						

JCP8295

Width	Height	Thickness
58	131	16

Application Pos R

LAND ROVER:
Discovery 16-
Range Rover 12-
Range Rover Sport 13-



APEC	Blueprint	Borg & Beck	Comline	Delphi	Mintex	QH	TRW
PAD1946	ADJ134241	BBP2415	ADB02256	LP2508	MDB3343	BP1893	GDB2029
OEM	LR036574, LR065492, LR068303, LR079910, LR079935, LR084118, LR106326, LR108260						

