

New to Range Brake Pads November 2021

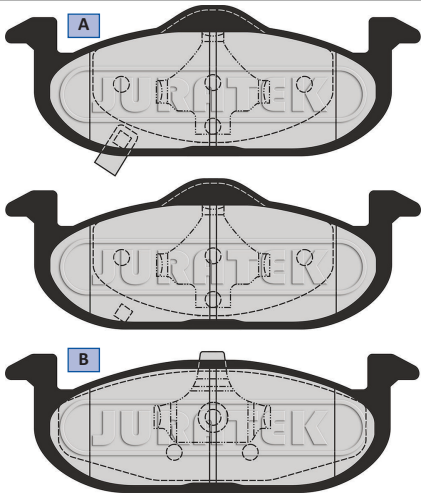


JCP8617

A-Width	A-Height	A-Thickness
54	150	15
B-Width	B-Height	B-Thickness
50	150	15
Application	Pos	F

MG:

MG 3 11-
MG 5 12-
MG 350 11-



APEC	Blueprint	Borg & Beck	Comline	Delphi	Mintex	QH	TRW
PAD2177	-	BBP2547	ADB32692 CBP32692	LP2695	MDB84205	-	-
OEM	10025315, 10026870, 10163252						

www.juratek.com

