

New to Range Brake Pads May 2021

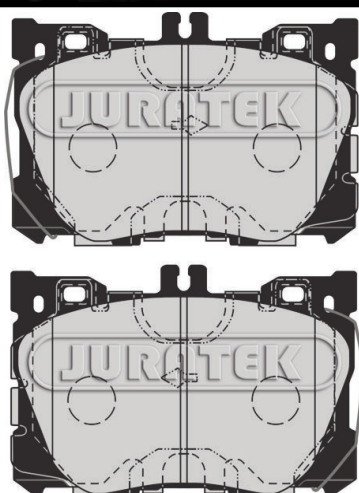


JCP8238

Width	Height	Thickness
96.3	142	17.9

Application Pos **F**

MERCEDES-BENZ :
 C-Class 15-
 CLS 17-
 E-Class 16-
 EQC 19-
 GLC 15-



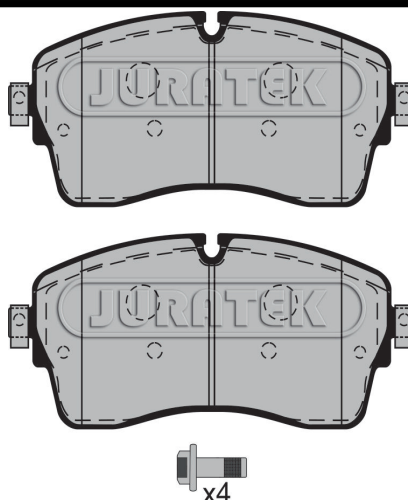
APEC	Blueprint	Borg & Beck	Comline	Delphi	Mintex	QH	TRW
PAD2139	ADU174241	BBP2587	-	LP3276	MDB3892	-	GDB2150
OEM	0004204900, 0004205000, 0004207900, 0004207900, A0004205000, A0004207900						

JCP8302

Width	Height	Thickness
175	79.1	16

Application Pos **F**

JAGUAR:
 E-Pace 17-
 F-Pace 17-
 XE 15-
LAND ROVER:
 Discovery 16-
 Discovery Sport 14-
 Range Rover 12-
 Range Rover Evoque 17-
 Range Rover Sport 16-
 Range Rover Velar 17-



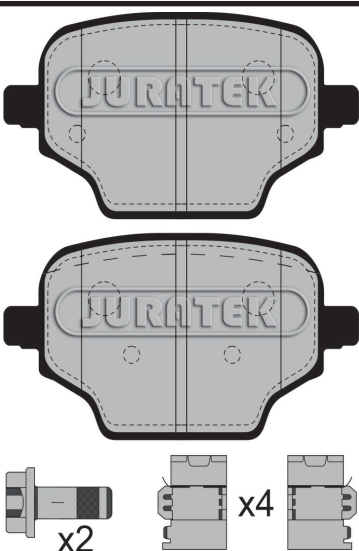
APEC	Blueprint	Borg & Beck	Comline	Delphi	Mintex	QH	TRW
PAD2286	ADJ134253	BBP2800	ADB02761 CBP02761	LP3395	MDB3461 MDB4068	-	-
OEM	J9C7133, JDE39759, LR091308, LR091568, LR110409, LR128251, LR134638, LR134644						

JCP8554

Width	Height	Thickness
47	92	16.5

Application Pos **R**

CITROËN:
 Berlingo 18-
OPEL:
 Combo 18-
PEUGEOT:
 Partner 18-
 Rifter 18-
TOYOTA:
 Proace City 19-
 Proace City Verso 19-
VAUXHALL:
 Combo 18-



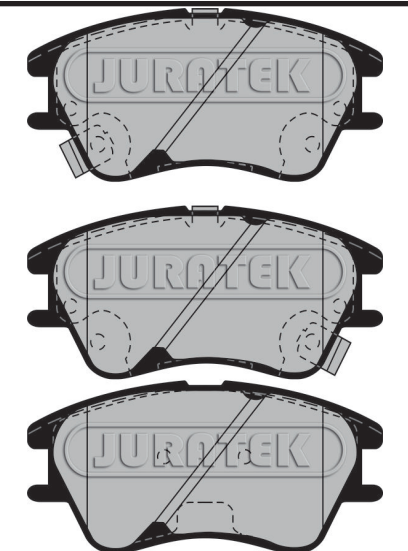
APEC	Blueprint	Borg & Beck	Comline	Delphi	Mintex	QH	TRW
PAD2281	ADB420009	BBP2864	ADB02453 CBP02453	LP3580	MDB4136	-	-
OEM	1635254980, 39166045, SU001A8852						

JCP8580

Width	Height	Thickness
47.2	104.6	15.8

Application Pos **F**

HYUNDAI:
 Atos 98-10



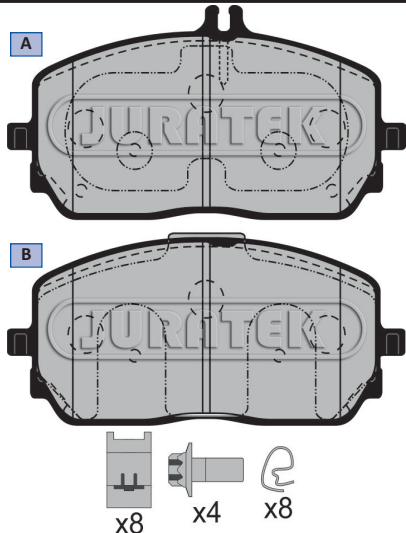
APEC	Blueprint	Borg & Beck	Comline	Delphi	Mintex	QH	TRW
PAD1474	ADG04260	BBP2102	ADB31298 CBP31298	LP2062	MDB2762	BP1384	GDB3377
OEM	5810102A10, 5810105A10, 5810105A30						

JCP8590

A-Width	A-Height	A-Thickness
80.7	163.2	17.3
B-Width	B-Height	B-Thickness
71.4	163.2	17.3

Application Pos **F**

MERCEDES-BENZ :
 A-Class 18-
 B-Class 18-
 CLA 19-
 GLA 20-
 GLB-Class 19-
 GLE 18-



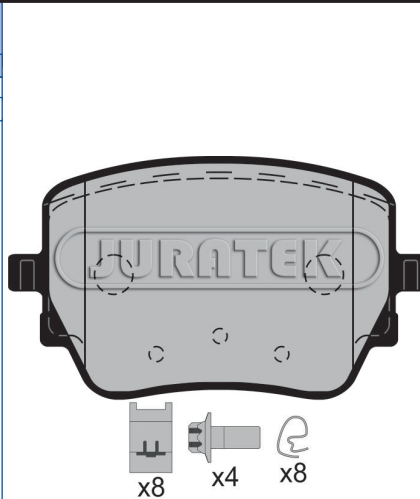
APEC	Blueprint	Borg & Beck	Comline	Delphi	Mintex	QH	TRW
PAD2245	-	BBP2816	-	LP3437	MDB4110	-	-
OEM	0004204802, 0004207200, 0004207400, 0004208002, A0004204802, A0004207200, A0004207400, A0004208002						

JCP8592

Width	Height	Thickness
54.1	112.9	16.4

Application Pos **R**

MERCEDES-BENZ:
 A-Class 18-
 B-Class 18-
 CLA 19-
 GLA 20-
 GLB-Class 19-



APEC	Blueprint	Borg & Beck	Comline	Delphi	Mintex	QH	TRW
PAD2314	-	BBP2807	ADB02765 CBP02765	LP3439	MDB4108	-	-
OEM	0004207600, 4207600, A0004207600						

