

New to Range Brake Pads November 2023

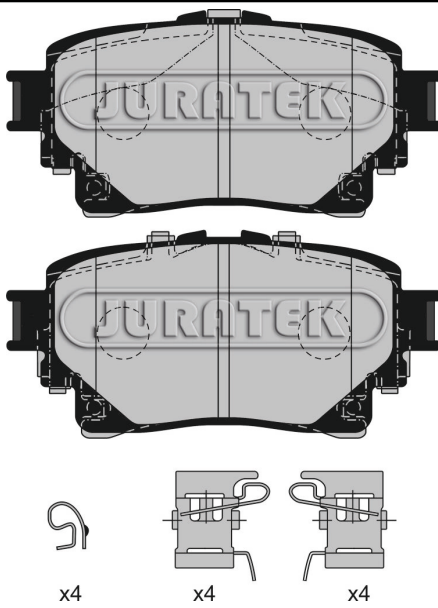


Please note, part numbers with images are recommended for customers stock. Part numbers without images are available from Juratek stock but for less popular applications.

JCP4034

Width	Height	Thickness
104	48	15
Application		Pos
		R

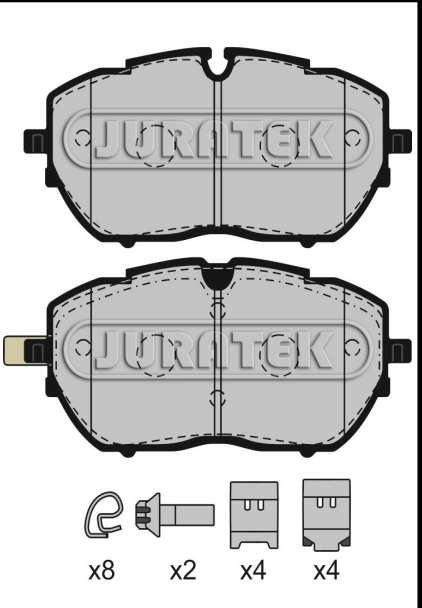
LEXUS:
NX 21-
UX 20-
SUZUKI:
Across 20-
TOYOTA:
bZ4X 21-
Highlander 19-
Rav 4 18-



JCP8177

Width	Height	Thickness
148	73	17
Application		Pos
		F

CITROËN:
C5 X 21-
DS:
DS 4 21-
DS 7 22-
DS 7 Crossback 19-
DS 9 20-
OPEL:
Astra 21-
Grandland 19-
PEUGEOT:
308 14-21
308 SW 14-21
408 22-
508 18-
508 SW 18-
VAUXHALL:
Astra 21-
Grandland 19-



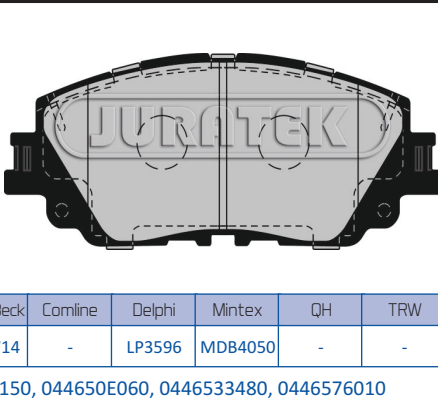
APEC	Blueprint	Borg & Beck	Comline	Delphi	Mintex	QH	TRW
PAD2308	ADBP420100	BBP2851	ADB03071 CBP03071	LP3599	MDB4217 MDB4292	-	-
OEM	0446602430, 0446612160, 0446612161, 0446630360, 0446642090, 04466F4020, T04466F402						

APEC	Blueprint	Borg & Beck	Comline	Delphi	Mintex	QH	TRW
PAD2083	-	BBP2546	ADB02260 CBP02260	LP3518	MDB3847	BP1846	GDB2121
OEM	1612373080, 1647859680, 1647877180, 1647877180						

JCP8550

Width	Height	Thickness
143	56	16
Application		Pos
		F

LEXUS:
ES 18-
UX 18-
TOYOTA:
Camry 17-
Corolla Cross 22-
Rav 4 18-



APEC	Blueprint	Borg & Beck	Comline	Delphi	Mintex	QH	TRW
PAD2292	ADBP420101	BBP2714	-	LP3596	MDB4050	-	-
OEM	0446506150, 044650E060, 0446533480, 0446576010						