

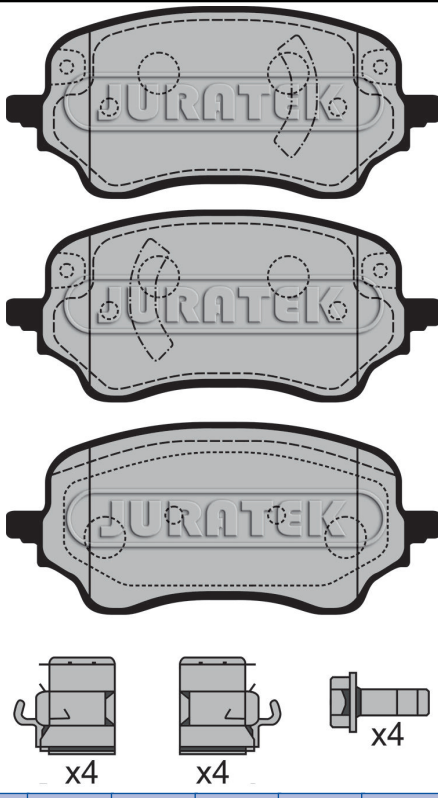
New to Range Brake Pads August 2022



JCP4008

Width	Height	Thickness
58	132	17
Application		Pos
		F

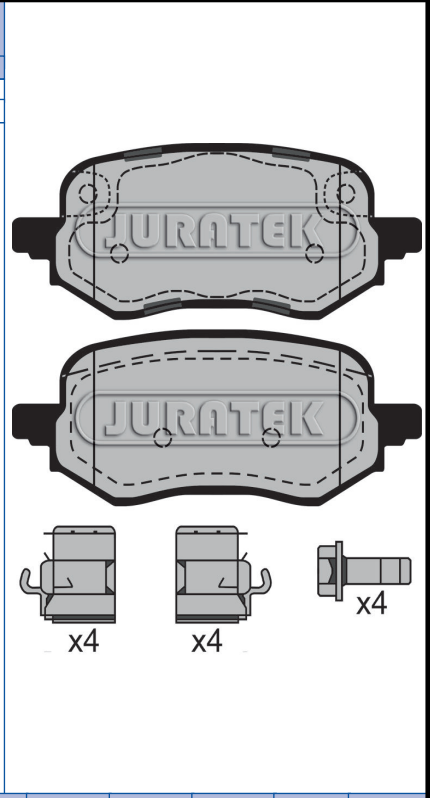
FORD :
Puma 19-



JCP4009

Width	Height	Thickness
41	102	14
Application		Pos
		R

FORD :
Puma 19-



APEC	Blueprint	Borg & Beck	Comline	Delphi	Mintex	QH	TRW	APEC	Blueprint	Borg & Beck	Comline	Delphi	Mintex	QH	TRW
PAD2328	-	BBP2885	ADB02740 CBP02740	LP3648	MDB4285	-	-	PAD2329	-	BBP2886	ADB02741 CBP02741	LP3649	MDB4286	-	-
OEM	2413372, 2425653, 2588897, KTL1TC2K021AA, KTL1TC2K021AB, KTL1TC2K021AC							OEM	2413374, KTL1TC2M007AB						