

New to Range Brake Pads December 2023



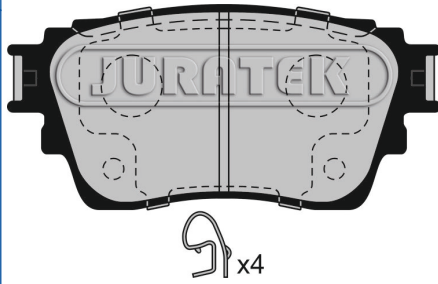
Please note, part numbers with images are recommended for customers stock. Part numbers without images are available from Juratek stock but for less popular applications.

JCP4018

Width	Height	Thickness
103	42	14

Application Pos **R**

MITSUBISHI:
Eclipse Cross 17-
Outlander 12-



9 x4

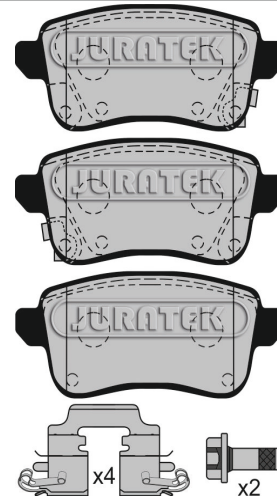
APEC	Blueprint	Borg & Beck	Comline	Delphi	Mintex	QH	TRW
PAD2303	ADC44290	BBP2847	ADB02487 CBP02487	LP3408	MDB4071	-	-
OEM	4605B560, 4605B562, 4605B987, 4605B989						

JCP4019

Width	Height	Thickness
107	46	15

Application Pos **R**

RENAULT:
Captur 20-
Zoe 12-



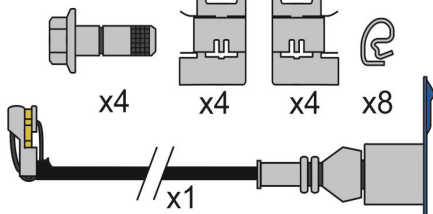
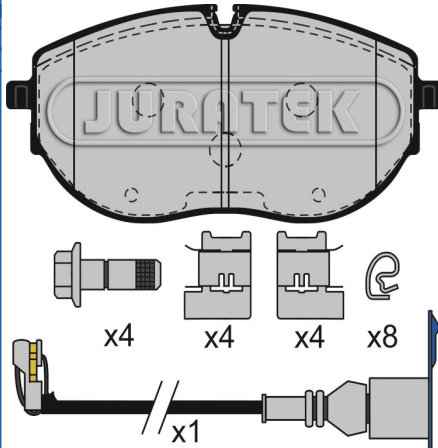
APEC	Blueprint	Borg & Beck	Comline	Delphi	Mintex	QH	TRW
PAD2389	ADBP420085	BBP2894	-	LP5038EV	MDB3348	-	-
OEM	440606659R						

JCP4073

Width	Height	Thickness
171	80	18

Application Pos **F**

VOLKSWAGEN:
California 15-
Multivan 15-
Transporter (T6) 15-



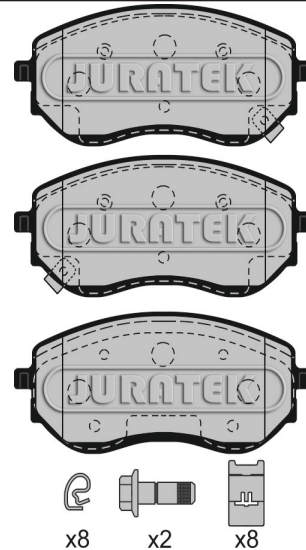
APEC	Blueprint	Borg & Beck	Comline	Delphi	Mintex	QH	TRW
-	ADBP420103	-	ADB23303 CBP23303	LP3652	MDB4284	-	GDB2412
OEM	7LA698151A, 7LA698151C						

JCP8071

Width	Height	Thickness
163.4	69.7	20

Application Pos **F**

MERCEDES-BENZ:
X-Class 17-
NISSAN:
Navara 15-
OPEL:
Astra 12-15
RENAULT:
Megane 17-



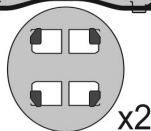
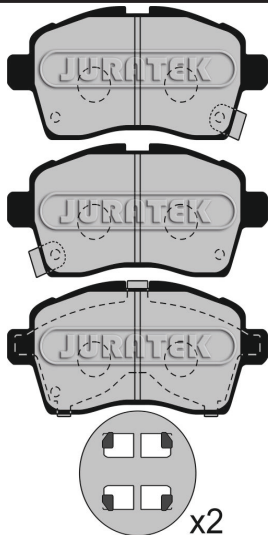
APEC	Blueprint	Borg & Beck	Comline	Delphi	Mintex	QH	TRW
PAD2239	ADU174253 ADU174263	-	ADB32457 CBP32457	LP3401	MDB4082	-	-
OEM	4704205300, A4704205300, D10605JU0A						

JCP8531

Width	Height	Thickness
114	48	15

Application Pos **F**

SUZUKI:
Ignis 16-



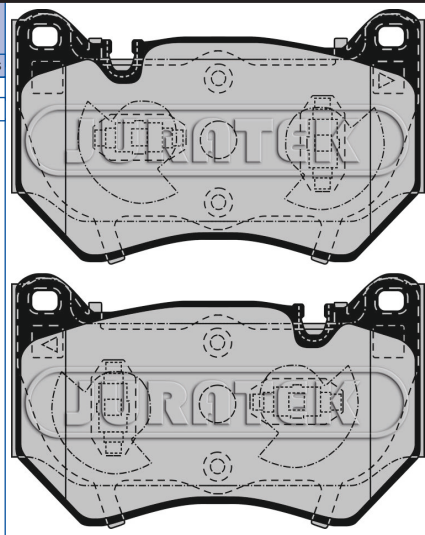
APEC	Blueprint	Borg & Beck	Comline	Delphi	Mintex	QH	TRW
PAD2291	ADK84245	BBP2809	ADB32439 CBP32439	LP3510	MDB4029	-	-
OEM	5581062R00						

JCP8538

Width	Height	Thickness
132.7	81.4	15

Application Pos **F**

AUDI:
Q5 16-
Q5 Sportback 21-



APEC	Blueprint	Borg & Beck	Comline	Delphi	Mintex	QH	TRW
PAD2311	ADBP420069	BBP2876	ADB02778 CBP02778	LP3529	MDB4169	-	-
OEM	80A698151B, 80A698151F						

www.juratek.com

