

# New to Range Brake Pads January 2024

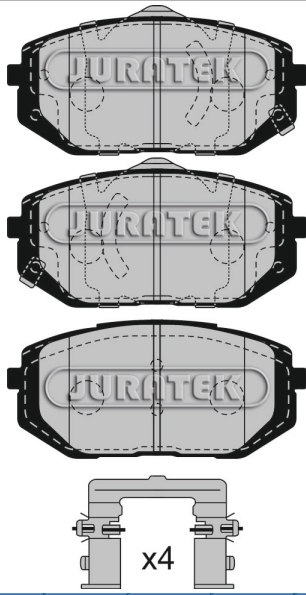


Please note, part numbers with images are recommended for customers stock  
Part numbers without images are available from Juratek stock but for less popular applications.

## JCP4077

Width	Height	Thickness
146	65	17
Application		Pos F

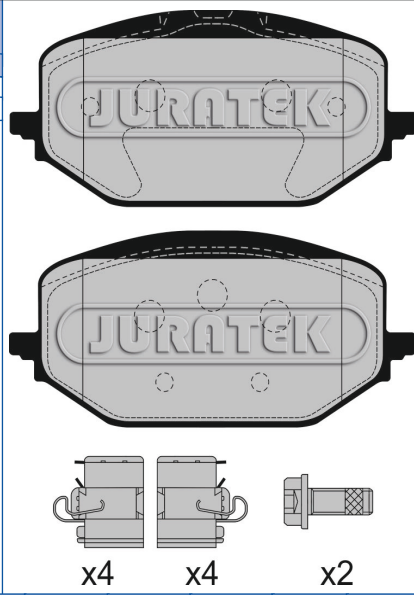
**HYUNDAI:**  
Ioniq 5 21-  
Ioniq 6 22-  
Tucson 20-  
**KIA:**  
EV6 21-



## JCP4087

Width	Height	Thickness
67	148.2	17.5
Application		Pos F

**CITROËN:**  
Berlingo 18-  
C5 Aircross 23-  
C5 X 21-  
**DS:**  
DS 4 21-  
DS 7 22-  
**OPEL:**  
Astra 21-  
Combo 18-  
Grandland 17-  
**PEUGEOT:**  
308 21-  
308 SW 21-  
408 22-  
508 23-  
508 SW 23-  
3008 22-  
5008 23-  
Partner 18-  
Rifter 18-  
**VAUXHALL:**  
Astra 21-  
Combo 18-  
Grandland 17-



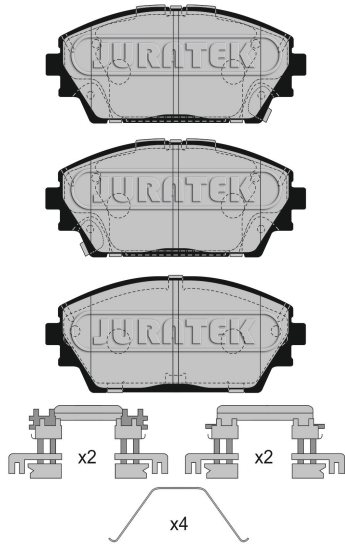
APEC	Blueprint	Borg & Beck	Comline	Delphi	Mintex	QH	TRW
PAD2532	ADB420113	BBP2933	-	LP3741	MDB3493	-	-
OEM 58101GIA60, 58101N7A10							

APEC	Blueprint	Borg & Beck	Comline	Delphi	Mintex	QH	TRW
PAD2556	-	-	ADB03417 CBP03417	LP3875 LP5073EV	MDB3349		
OEM 1647880280, 9839379280							

## JCP8311

Width	Height	Thickness
138	56	16
Application		Pos F

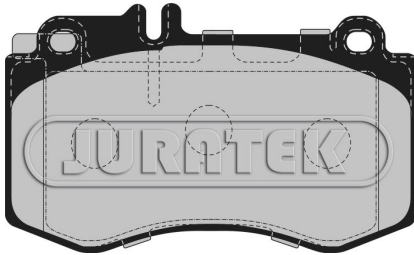
**MAZDA:**  
3 18-



## JCP8612

Width	Height	Thickness
79.8	141.7	16.3
Application		Pos F

**MERCEDES-BENZ:**  
CLS 11-17  
E-Class 09-16



APEC	Blueprint	Borg & Beck	Comline	Delphi	Mintex	QH	TRW
PAD2356	ADB420095	BBP2873	ADB32856 CBP32856	LP3632	MDB4197	-	-
OEM BCYA3328ZA, BCYB3328Z, BCYB3328ZA							

APEC	Blueprint	Borg & Beck	Comline	Delphi	Mintex	QH	TRW
PAD1735 PAD1735B	ADU174232	BBP2248	ADB26144 CBP26144	LP2304	MDB3046	BP1789	GDB1822
OEM 0054207720, 0054208520, 0074204920, 0074206320, 0074206420							

www.juratek.com

