

# New to Range Brake Pads January 2019

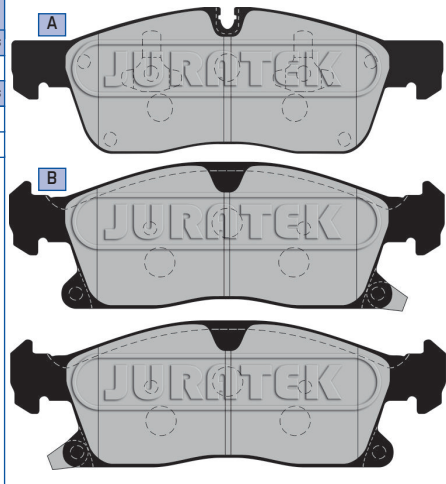


www.juratek.com

## JCP8117

A-Width	A-Height	A-Thickness
193.2	64.1	19
B-Width	B-Height	B-Thickness
194.5	64.1	19
Application	Pos	F

**JEEP:**  
Grand Cherokee I0-

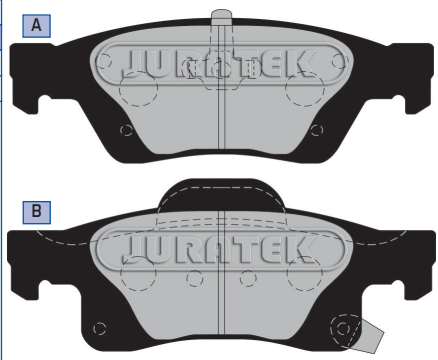


Apec	Blueprint	Borg & Beck	Comline	Delphi	Mintex	QH	TRW
PAD1770	ADA104269	BBP2272	ADB36096 CBP36096	LP2275 LP3173	-	BP1761	-
OEM	68052369AA, 68052370AA						

## JCP8118

A-Width	A-Height	A-Thickness
140.2	50.9	16.8
B-Width	B-Height	B-Thickness
141.5	59.5	16.8
Application	Pos	R

**JEEP:**  
Grand Cherokee I0-

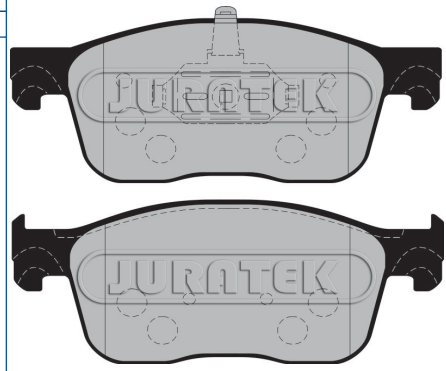


Apec	Blueprint	Borg & Beck	Comline	Delphi	Mintex	QH	TRW
PAD1800	ADA104272	BBP2273	ADB36076 CBP36076	LP2251	MOB3165	BP1772	GOB4448
OEM	68052386AA						

## JCP8174

Width	Height	Thickness
180.2	69.5	16.5
Application	Pos	F

**CITROEN:**  
Dispatch I6-  
SpaceTourer I6-  
**PEUGEOT:**  
Expert I6-  
Traveller I6-  
**TOYOTA:**  
Proace I6-

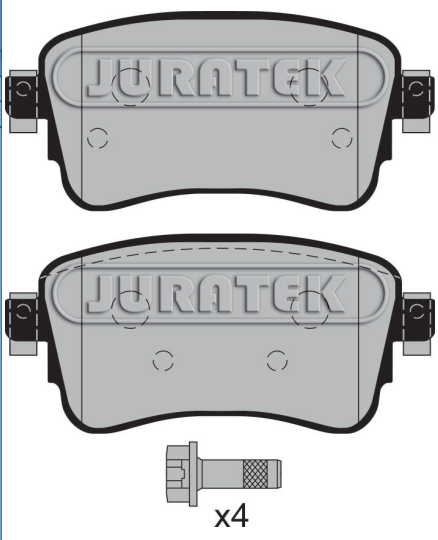


Apec	Blueprint	Borg & Beck	Comline	Delphi	Mintex	QH	TRW
PAD2189	-	-	-	LP3260	MOB3992	-	-
OEM	1613260780						

## JCP8175

Width	Height	Thickness
113.9	53.5	16.5
Application	Pos	R

**CITROEN:**  
Dispatch I6-  
SpaceTourer I6-  
**PEUGEOT:**  
Expert I6-  
Traveller I6-  
**TOYOTA:**  
Proace I6-

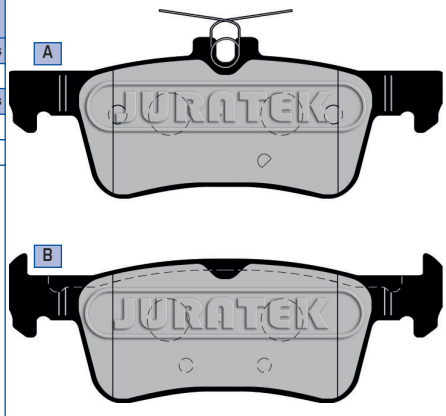


Apec	Blueprint	Borg & Beck	Comline	Delphi	Mintex	QH	TRW
PAD2182	AOT342229	-	ADB02351 CBP02351	LP3261	-	-	GOB2166
OEM	1617936880						

## JCP8213

A-Width	A-Height	A-Thickness
123.2	46	14.9
B-Width	B-Height	B-Thickness
123.2	42.5	14.9
Application	Pos	R

**FORD:**  
Fiesta I7-



Apec	Blueprint	Borg & Beck	Comline	Delphi	Mintex	QH	TRW
PAD2204	-	BBP2629	ADB02369 CBP02369	LP3369	MOB3442	-	GOB2194
OEM	2096245, 2112004, 2123543, KTH1BC2M007AA, KTH1BC2M007AB, KTH1BC2M007AB						

